

OTe 18/220-240/350 PC

OPTOTRONIC Phase-cut OTE | Compact constant current LED driver – Dimmable



Product family features

- Dimmable via leading edge/trailing edge
- Type of protection: IP20

Product family benefits

- Compact housing for mounting in very tight spaces
- Compatible with the most common leading-edge and trailing-edge phase dimmers

Areas of application

- Optional cable clamp E-style for independent mounting
- Suitable for indoor installations
- Suitable for indoor SELV installations

Technical data

Electrical data

Max. ECG no. on circuit breaker 10 A (B)	53
Max. ECG no. on circuit breaker 16 A (B)	84
Maximum output power	19 W
Nominal output current	350 mA ¹⁾
Nominal output power	19 W ²⁾
Nominal output voltage	27...54 V ³⁾
Nominal input voltage	220...240 V
Input voltage AC	198...264 V ⁴⁾
Input voltage DC	not relevant
Device power loss	3.0 W ⁵⁾
Efficiency in full-load	86 % ⁶⁾
Galvanic isolation primary/secondary	SELV
Inrush current	5 A ⁷⁾
Power factor λ	0.88C...0.97 ⁸⁾
Mains frequency	50/60 Hz
Surge capability (L-N)	1 kV
Surge capability (L/N-Ground)	1 kV
U-OUT (working voltage)	50 V
Current set	Fixed current
Output current tolerance	±10 %
Output ripple current (100 Hz)	< 35 % ⁹⁾
Protective conductor current	not relevant
Total harmonic distortion	15 %

1) ±10%

2) Partial load 9.5...19 W

3) Maximum 60 V

4) Permitted voltage range

5) Maximum

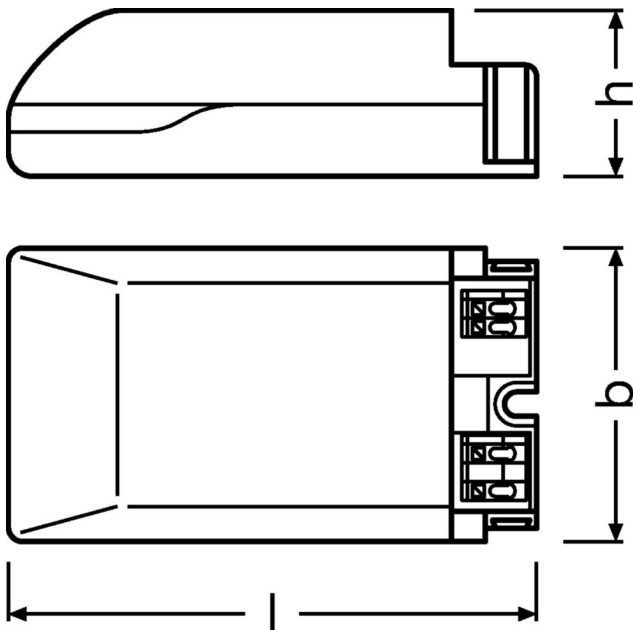
6) at 230 V, 50 Hz

7) $t_{width} = 100 \mu s$ (measured at 50 % I_{peak})

8) Full load at 230 V / Minimum load at 230 V

9) Typical

Dimensions & weight



Product weight	93.00 g
Length	95.0 mm
Height	30.0 mm
Width	53.0 mm
Cable cross-section, input side	0.75...1.5 mm ² ¹⁾
Cable cross-section, output side	0.5...1.5 mm ² ¹⁾
Cable/wire length, output side	2000 mm
Wire preparation length, input side	8.0...9.0 mm
Wire preparation length, output side	8.0...9.0 mm

1) Flexible / Solid leads

Colors & materials

Casing material	Plastic
------------------------	---------

Temperatures & operating conditions

Ambient temperature range	-20...+50 °C
Max.housing temperature in case of fault	110 °C
Maximum temperature at tc test point	75 °C ¹⁾
Permitted rel. humidity during operation	5...85 % ²⁾
Temperature range at storage	-25...75 °C

1) Maximum at the Tc-point

2) Maximum 56 days/year at 85 %

Lifespan

ECG lifetime	50000 h ¹⁾
---------------------	-----------------------

1) At $T_{case} = 70^{\circ}C$ at T_c point / 10% failure rate

Capabilities

Max. cable length to lamp/LED module	2.0 m ¹⁾
Dimmable	Yes
Dimming interface	Phase Cut ²⁾
Dimming method	Amplitude Modulation
Dimming range	10...100 %
Overload protection	Automatic reversible
Overheating protection	Automatic reversible
Short-circuit protection	Automatic reversible
Suitable for through-wiring	No
Suitable for fixtures with prot. class	I / II
Type of connection, output side	Push terminal
No-load proof	Yes

1) Output wires must be routed as close as possible to each other

2) Leading edge / Trailing edge

Certificates & standards

Type of protection	IP20
Standards	Acc. to IEC 61347-1 / Acc. to IEC 61347-2-13 / Acc. to IEC 62384 / Acc. to CISPR 15 / Acc. to IEC 61000-3-2 / Acc. to IEC 61000-3-3 / Acc. to IEC 61547
Approval marks – approval	CE / ENEC 10 / VDE / CB

Logistical data

Commodity code	85044083900
----------------	-------------

Environmental information

Information according Art. 33 of EU Regulation (EC) 1907/2006 (REACH)	
Date of Declaration	29-07-2024
Primary Article Identifier	4052899105348
Declaration No. in SCIP database	In work
SCIP_STATUS	In work
SCIP_ID	

Ecodesign regulation information:

Intended for use with LED modules.

The forward voltage of the LED light source shall be within the defined operating window of the control gear in all operating conditions including dimming if applicable.

Separate control gear and light sources must be disposed of at certified disposal companies in accordance with Directive 2012/19/EU (WEEE) in the EU and with Waste Electrical and Electronic Equipment (WEEE) Regulations 2013 in the UK. For this purpose, collection points for recycling centres and take-back systems (CRSO) are available from retailers or private disposal companies, which accept separate control gear and light sources free of charge. In this way, raw materials are conserved and materials are recycled.

Download Data

File		
Installation/Operation notice	PDF	▶OT PC dimmer list 210624
Certificates	PDF	▶OT ENEC 40038447 270224
CAD data 3-dim	Compressed	▶377015_OTe 18-25 PC -cable clamp
CAD data 3-dim	Compressed	▶377016_OTe 18-25 PC -housing
CAD data 3-dim	Compressed	▶377017_OTe 18-25 PC -housing with cable clamp
Mandatory Publications	PDF	▶OTe PC UK DoC 4281102 03 200923
Mandatory Publications	PDF	▶OTe PC CE 3365230 15 200923
Installation guide	PDF	▶501496_OTe 18/220-240/350 PC

Logistical Data

Product code	Product description	Packaging unit (Pieces/Unit)	Dimensions (length x width x height)	Volume	Gross weight
4052899105348	OTe 18/220-240/350 PC	Shipping carton box 20 Pieces	284 x 207 x 100 mm	5.88 dm ³	106.90 g

The mentioned product code describes the smallest quantity unit which can be ordered. One shipping unit can contain one or more single products. When placing an order, for the quantity please enter single or multiples of a shipping unit

Accessories Optional

Product description	Accessory name	Accessory code
OTe 18/220-240/350 PC	OT CABLE CLAMP E-STYLE	▶ 4052899167896

Disclaimer

Subject to change without notice. Errors and omission excepted. Always make sure to use the most recent release.